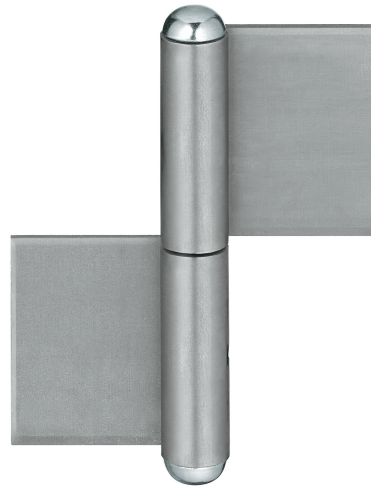


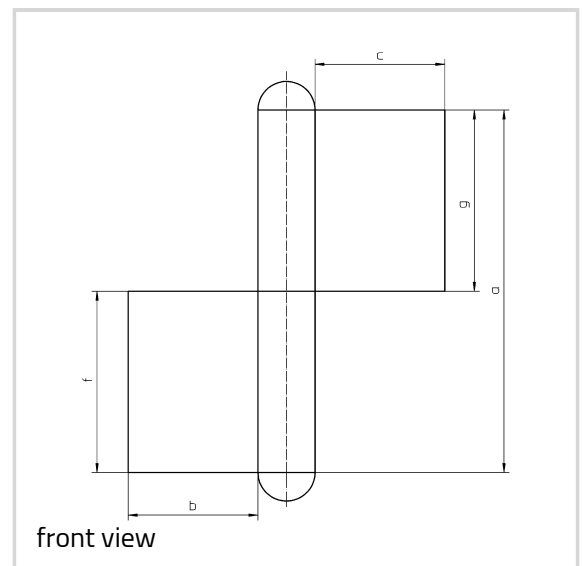
KO 4 200x50x14x4

weld-on hinge for steel windows and steel doors



Technical details

Attributes	Value
Knuckle length	200,0 mm
Knuckle diameter	22,0 mm
Width (door part)	50,0 mm
Length (door part)	100,0 mm
Width (frame part)	50,0 mm
Length (frame part)	100,0 mm
Pin diameter	14,0 mm
Material thickness	4,0 mm

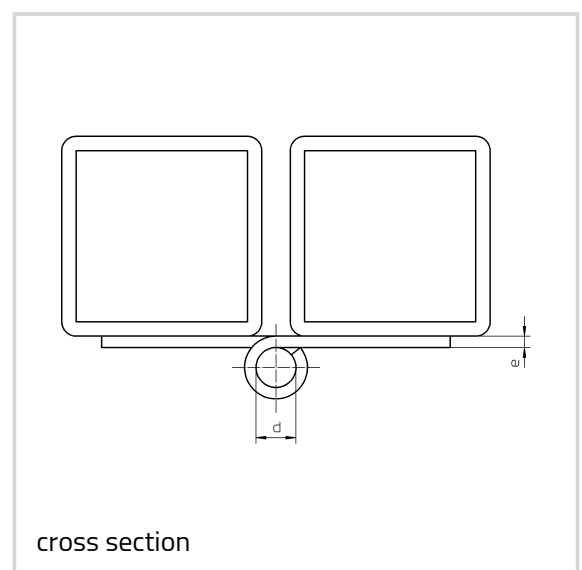


Note

Steel version: With loose, galvanised pin and grooved, galvanised buttons to drive in for press fit.

Stainless steel version: With loose pin and grooved buttons to drive in for press fit.

Washers need to be ordered separately.



Combinations

Metalworking - KO 4 200x50x14x4

Brass washer 14 mm

Ball bearing 14 mm

Item

Finish(es)	Steel self colour (002)
OF-NR.	002
VPE	pack of 10
DIN	DIN right and left hand
Item No.	5 140596 0 00206
EAN	4015471016975
Finish(es)	Satin Stainless Steel (040)
OF-NR.	040
VPE	pack of 10
DIN	DIN right and left hand
Item No.	5 140596 0 04006
EAN	4015471034627